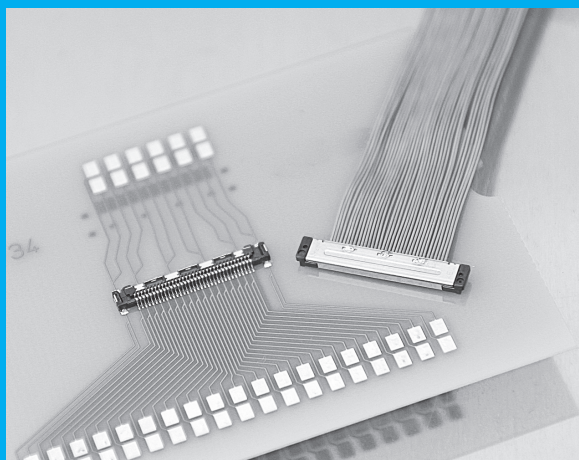


# USLS21 SERIES

RoHS  
Compliant

0.4mm PITCH CONNECTOR FOR MICRO COAXIAL CABLE /SOLDERED CONNECTION (STACKING TYPE)



## FEATURES

- ▶ Compact connector with a low profile of 1.65 mm(0.065") and a mating width of 3.05 mm(0.120").
- ▶ For micro coaxial cable(#40 AWG, #42 AWG, #44 AWG, #46 AWG).
- ▶ Provided with a soldered cable connection.
- ▶ Equipped with a metal shell, noise reduction and product strength are ensured.
- ▶ Multiple ground terminals are provided for enhanced transmission characteristics and EMS protection.
- ▶ Highly reliable design with effective mating length of 0.35mm(0.014").
- ▶ Nickel barrier of the board side contact prevents solder wicking.
- ▶ Possible to put through narrow tube with a diameter of  $\phi$ 4m- $\phi$ 0.157") even after soldering.

## ORDER CODE

**USLS00-34-**

①      ②      ③

\*Please order in multiples of the quantity per package.

- ① **[Type]** **USLS00** : Receptacle (PCB side connector)
- ② **[Number of contacts]** **34** : 34 pin
- ③ **[Number of packing]** **A** : 500pcs. per reel **B** : 1,000pcs. per reel **C** : 3,000pcs. per reel

## ORDER CODE

**USLS21-34**

①      ②

\*Please order in multiples of the quantity per package.

- ① **[Type]** **USLS21** : Plug (Cable side connector) soldered cable connection type
- ② **[Number of contacts]** **34** : 34 pin

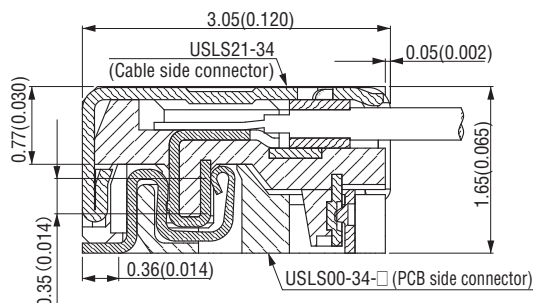
\*Plug(cable side connector) is composed of a base and a shell.

## SPECIFICATIONS

Material and finish		Electrical characteristics	
Insulator material	Glass-filled LCP(UL94V-0),Black	Rated current	0.25A per contact
Contact material	Copper alloy	Contact resistance	100m $\Omega$ max.
Contact plating	Gold over Nickel	Dielectric withstanding voltage	200V AC for 1minute
Shell material	[USLS00] Copper alloy	Insulation resistance	100M $\Omega$ min.at 250V DC
	[USLS21] Stainless	Operating temperature	-40°C to +85°C
Shell plating	Gold over Nickel	Applicable cable	#40/42/44/46 AWG Micro coaxial cables (Outermost diameter: max. 0.39 mm(0.015"))
Adsorption tape material	[USLS00] Polyimide		

## Mating drawing

Unit : mm(inch)

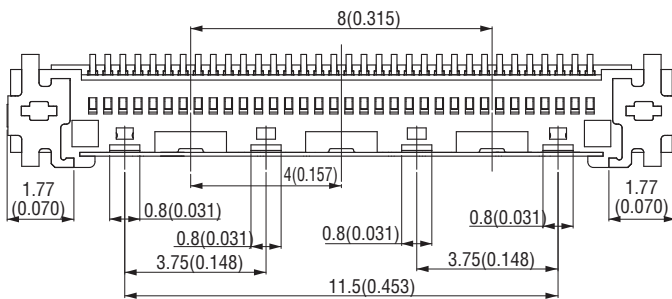
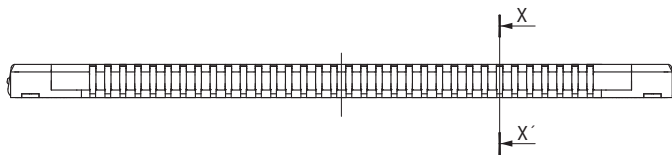
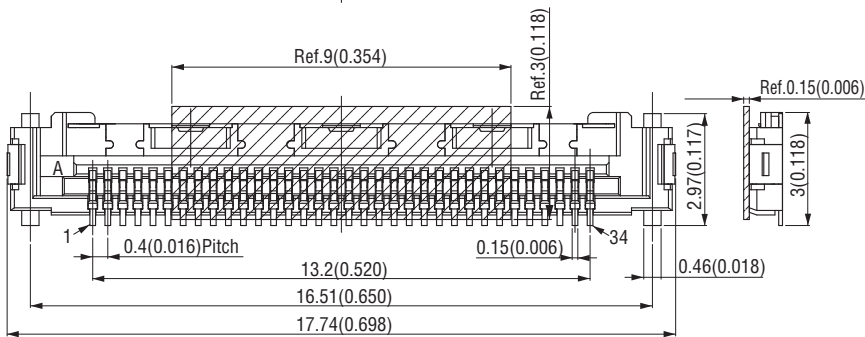
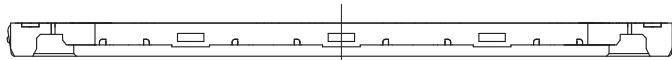
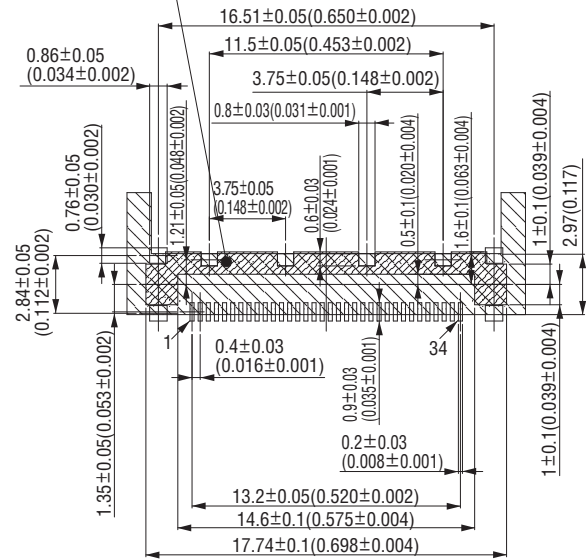


# USLS00-34-□ (Receptacle, PCB side connector)

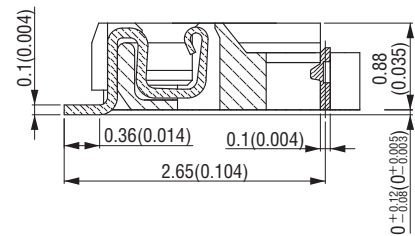
Unit : mm(inch)

## ▶ Printed Circuit Board layout (Component side view)

The metal shell is contact with diagonal line area.  
Do not pattern in this area.  
Ground mounting is recommended.



## X-X' Cross section



Packaging style

Embossed tape

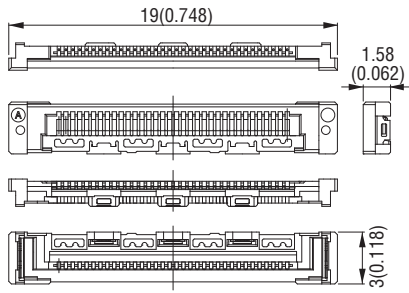
## ▶ Product table

Part number	Number of packaging
USLS00-34-A	500
USLS00-34-B	1,000
USLS00-34-C	3,000

# USLS21-34 (Plug, Cable side connector)

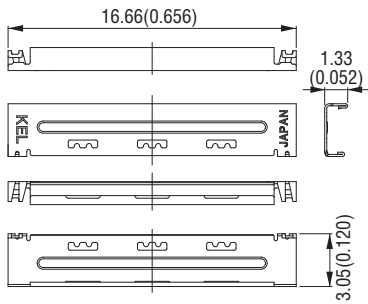
Unit : mm(inch)

## USLS21-34BASE



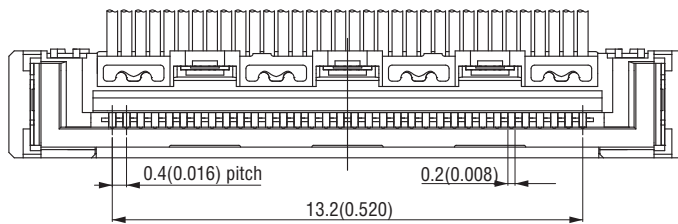
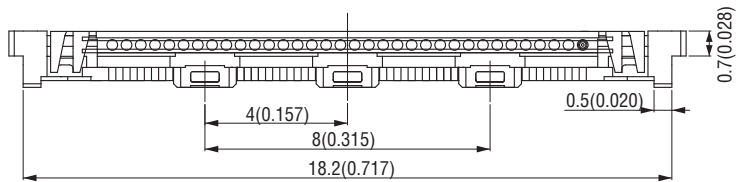
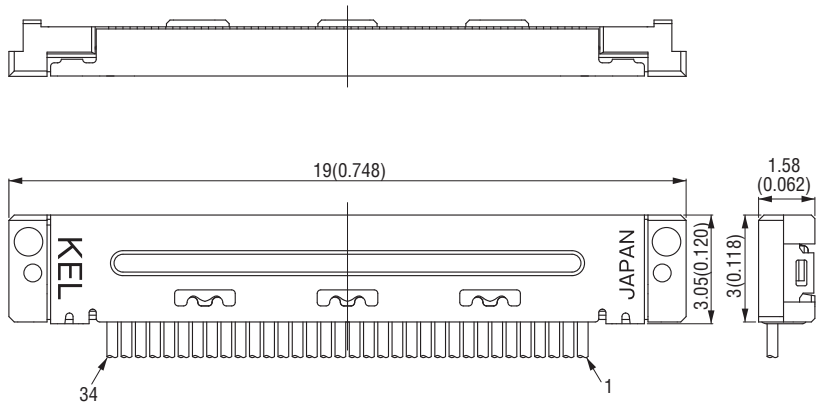
Number of packaging  
5,000

## USLS21-34SHELL



Number of packaging  
10,000

\*USLS21-34BASE and USL20-34SHELL are component parts of USL21-34.



Packaging style

Other

### Product table

No. of contacts	Part number	Number of packaging
34	USLS21-34	10,000